

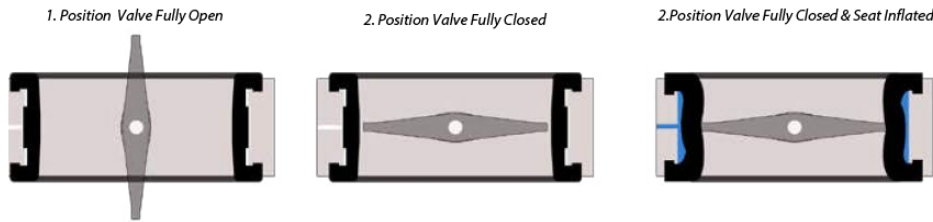
V101-SC Series Inflatable Seated Butterfly Valves For Severely Abrasive Applications

V101-SC series inflatable seated actuated butterfly valves that are highly resistant to mechanical wear are available in wafer and lug styles with seats in EPDM, Silicon, NBR or highly abrasion resistant White SBR to suit individual applications. Owing to their reduced coefficient of friction, the inflatable seated valves are capable of guaranteeing an extended life cycle and bubble tight shut-off in the most severe applications even under high operational frequencies, thus ideally suited for handling highly abrasive powders, granular materials and fluids containing solid particles. They are superior to the conventional types of butterfly valves that are prone to fail rapidly especially when used in mining applications and applications involving pneumatic conveying of powder materials.

The outside diameter of the disc that the V101-SC series valves feature is smaller compared to the standard versions thus the disc makes casual contact with the seat during valve opening and closing. When the valve disc reaches the fully closed position, the seat expands against it using pneumatic pressure, providing a tight seal. On valve opening the compressed air acting on the back of the seat is exhausted and the seat shrinks back allowing for the frictionless rotation of the disc. Discs with tungsten carbide coating for extremely abrasive media handling and discs with mirror polished surface finishing for food applications are possible upon request.



Operating Principle - Disc/Seat Positions

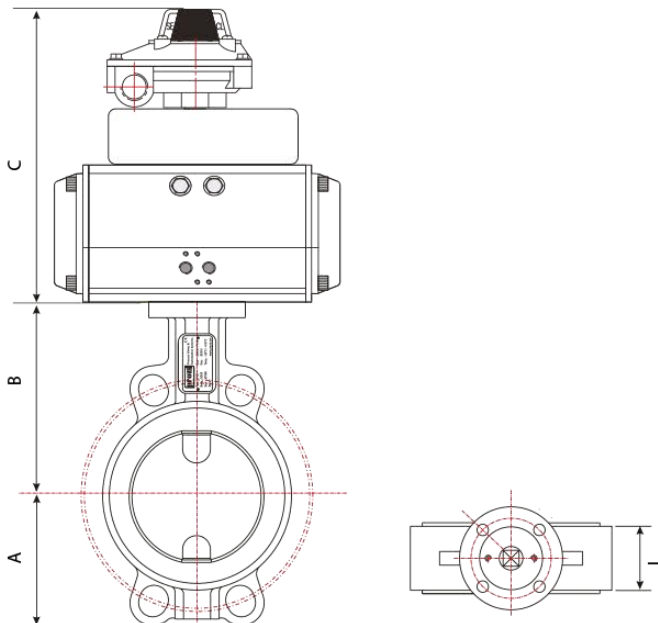


Material List

No	Part Name	Material	No	Part Name	Material	No	Part Name	Material		
1	Body	Epoxy Powder Coated GG25 Cast Iron	3	Seat	EPDM (-30° C ~ +130° C)	10	Lower Stem	AISI420 St.Steel		
		Epoxy Powder Coated GGG40 Ductile Iron			NBR (-20° C ~ +100° C)			AISI316 St.Steel		
		AISI304 St.Steel			Silicon (-30° C ~ +200° C)			11	Cover	Carbon Steel
		AISI316 St.Steel			Viton (-15° C ~ +200° C)			12	Washer	Brass
2	Disc	AISI316 St.Steel	4/5/6/7/8	Bushing	Bronze / PTFE	13	Stoper	Carbon Steel		
		Tungsten Carbide Coated AISI316 St.Steel	9	Upper Stem	AISI420 St.Steel	14	Bolt	St.Steel		
		Electropolished AISI316 St.Steel			AISI316 St.Steel	15/16	Stem O-Ring	NBR/Viton		

* SBR Seats are available in sizes up to DN300.

Dimensions (mm)



DN	DA Pn. Actuator	A	B	C	L
50	PA052	63	126	247	43
65	PA052	69	133	247	46
80	PA063	86	152	263	46
100	PA075	106	170	275	52
125	PA075	115	181	275	56
150	PA083	128	196	283	56
200	PA092	160	238	291	60
250	PA105	190	258	308	68
300	PA125	235	300	330	78
350	PA140	260	310	347	78
400	PA160	315	340	372	102
450	PA160	330	375	372	114
500	PA190	348	425	405	127
600	PA210	438	505	430	154